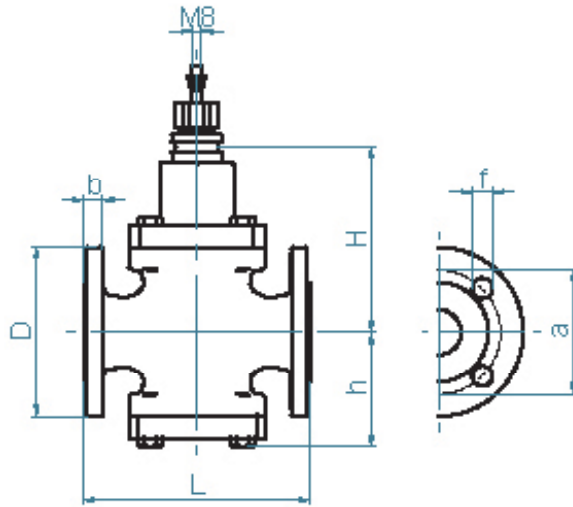


U-Bolt Connection	DN	MVH	MVHA/C	MVF58	MVF515	MVF59A/C*	MVEX06	MVEX10
2FAA.B	25R	3000	3000	3000	3000	3000	3000	3000
	25I	3000	3000	3000	3000	3000	3000	3000
	25	3000	3000	3000	3000	3000	3000	3000
	32	3000	3000	3000	3000	3000	3000	3000
	40	3000	3000	3000	3000	3000	2760	3000
	50	3000	2810	3000	3000	3000	2100	3000
	65	3000	2040	2540	3000	3000	1490	3000
	80	3000	1550	1960	3000	-	1100	2960
	100	3000	950	1230	3000	-	650	1910
	125	2330	660	890	2620	-	420	1430

* MVHA in emergency opens the valve; MVHC in emergency closes the valve.

NOTE In order to avoid wear between plug and seat, we recommend not to overcome the differential pressure of 1200 kPa.

OVERALL DIMENSIONS (mm)



Model	DN	L	H	h	D	b	a	f	Holes nr.	Weight [Kg]
2FAA.B	25	160	124	84	115	18	85	14	4	11
	32	180	139	99	140	18	100	18	4	16
	40	200	165	102	150	18	110	18	4	18
	50	230	168	106	165	20	125	18	4	21
	65	270	183	125	185	22	145	18	8	30
	80	310	199	149	200	24	160	18	8	44
	100	350	178	172	235	24	190	22	8	53
	125	400	203	210	270	26	220	25	8	83

The performances stated in this sheet can be modified without any prior notice due to design improvements